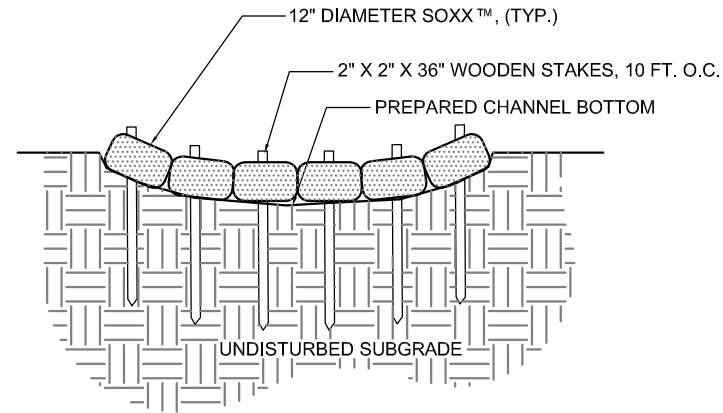
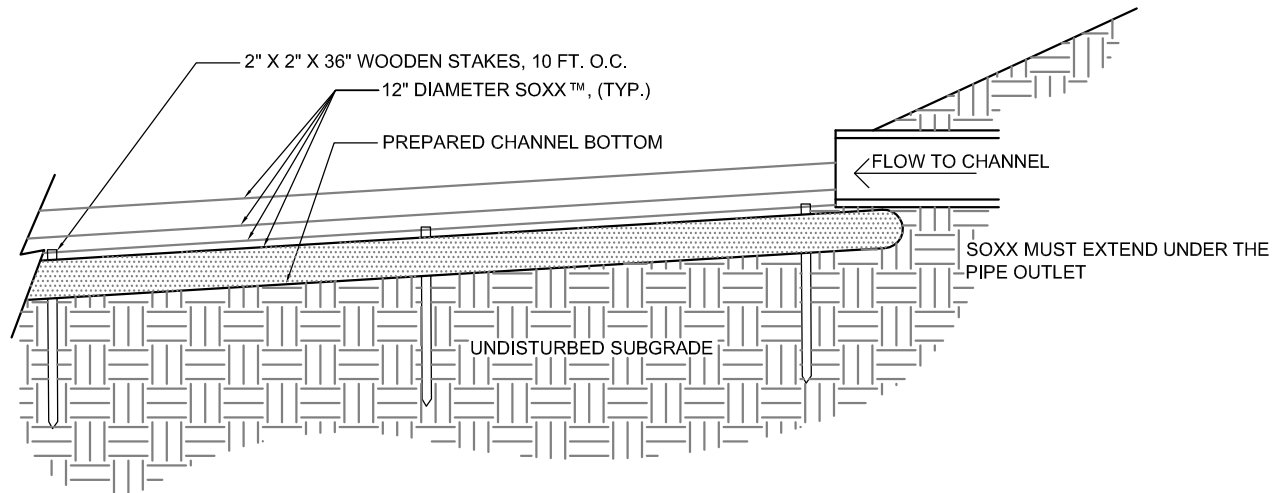


1. Soxx™ shall meet Filtrexx Soxx™ Specifications and use Filtrexx GrowingMedia™.
2. Contractor is required to be a Filtrexx Certified™ Installer.
3. Soxx™ must be installed and stabilized before flow is allowed from culverts and storm outlets.
4. Land surface shall be cleared of debris, including rocks, roots, large clods, and sticks prior to Soxx™ installation.
5. Channel bed shall be made smooth prior to installation of Soxx™.
6. Soil bed may be compacted and graded prior to installation.
7. The upslope end of the Soxx™ shall be installed under the lip of the culvert or outlet drain to ensure initial storm flow contact is on top of the Soxx™, not under or in front of the system.
8. Soxx™ shall be placed parallel to water flow, where socks are tightly abutted to prevent water seepage between and underneath the Soxx™.
9. Once in place, Soxx™ shall be lightly compacted and abutting edges leveled to tighten seal between socks and encourage even water flow over Soxx™ system.
10. Stakes shall be installed through the middle of the Soxx™ on 10 ft (3m) centers, using 2 in (50mm) by 2 in (50mm) by 3 ft (1m) wooden stakes. Top of stakes should be cut off, leaving 3 in (75mm) above the top of the Soxx™.
11. Soxx™ may be seeded at the time of application, seed selection will be determined by the Engineer.



**CHANNEL PROTECTION SECTION**  
NTS



**CHANNEL PROTECTION PROFILE**  
NTS

**FILTREXX® CHANNEL PROTECTION**

NTS